

RAPTOR 100
SAFE.
UNIQUE.
POWERFUL.



Pinotti



The new RAPTOR 100 from PRINOTH is a unique, remote-controlled carrier vehicle that delivers ultimate performance and reliability in daily forestry operations and landscape maintenance.

Combined with the M450h mulcher, it is highly versatile and can be used for a wide range of applications and areas: mulching trees and brush in rough and inaccessible terrain, maintaining green spaces and forestry work, working on steep ground and at the edges of roads and paths, and working on sensitive surfaces without causing undue damage.

The RAPTOR 100 offers performance, versatility, reliability, safety and flexibility.

AN UNBEATABLE TEAM



MAXIMUM PERFORMANCE

An innovative drive concept and a powerful hydraulic drive system give you everything you need, whatever the work involves.



MOBILITY

A compact design and low weight make it easy to transport to its place of use.



SAFETY AND EASY OPERATION

Operator safety is paramount. All of its functions can be conveniently controlled using an ergonomic remote control with a range of 100 meters.

SAFE. UNIQUE. POWERFUL.

UNCOMPROMISINGLY GOOD



POWERFUL AND ECONOMICAL

An efficient and powerful 75 hp Deutz engine complies with the Euro 5 exhaust gas standard.



LED WORK LIGHTS

Four bright LED headlights at the front and rear of the RAPTOR 100 mean you can see and be seen, even in difficult lighting conditions.



SAFETY

A chain curtain provides additional protection against flying pieces of wood and stones.

CONVENIENT REMOTE CONTROL

An ergonomic controller with a comfortable waist belt, joysticks for the mulcher and carrier and an emergency stop system allow you to work efficiently in the safety zone up to 100 meters away. You can steer the vehicle with one hand while operating the attachment with the other.



POWERFUL HYDRAULIC DRIVE

A powerful hydraulic drive delivers optimum power to the rotor. An innovative hydraulic system with three fully separate systems for propulsion, on-board and power hydraulics is state of the art.

- Propulsion hydraulics | 2x 5.8 gpm (2x 22 l/min)
- On-board hydraulics | 4.8 gpm (18 l/min), 2,900 psi (200 bar)
- Power hydraulics | 25.4 gpm (96 l/min), 4,351 psi (350 bar)
- Six double-acting control units



COOLING WITH CLEANFIX® REVERSIBLE FAN

A Cleanfix reversible fan guarantees maximum air flow and pressure so that the cooler and screens are cooled efficiently and cleaned thoroughly.



ROPE WINCH

Enhanced safety on steep terrain: a hydraulic 360° rope winch delivering a pulling force of 2,205 lbs (10 kN) can be used to secure the RAPTOR 100 if required.



OPERATING PANEL WITH STATUS DISPLAY

Keep an eye on everything: a protected display shows the most important working parameters such as rotational speed, temperature, operating hours and hydraulic pressure at a glance.



STORAGE SPACE AND 12V CONNECTION

Big, lockable storage space for extra tools and food. Always ready: a charger with a spare battery for the remote control, enabling you to get straight back to work.

SAFE. UNIQUE. POWERFUL.



PERFECT WHEN IT'S FLAT
— SAFE ON THE SLOPES



RUNNING GEAR

Special track geometry gives the vehicle excellent off-road capability and traction on slopes.



ADJUSTABLE TRACK SPACING

The Raptor 100's running gear can be widened hydraulically between 47.2 and 62.9 in (1,200 – 1,600 mm), which significantly increases stability, including on rough terrain. It can then be retracted again for navigating narrow paths and gaps. This allows the Raptor 100 to move along narrow, steep pathways where larger vehicles can't go.



GOOD FOR THE ENVIRONMENT – GOOD FOR THE FOREST

Less ground pressure means less environmental damage. The Raptor 100's wide rubber tracks and low weight exert less pressure on the ground, so the soil is protected, even if it is soft.



OVERCOMING OBSTACLES WITH EASE

With a ground clearance of 12.6 in (320 mm) and the ability to lift its attachment to 23.6 in (600 mm), the vehicle can easily overcome obstacles such as large tree stumps.



SAFE. UNIQUE. POWERFUL.



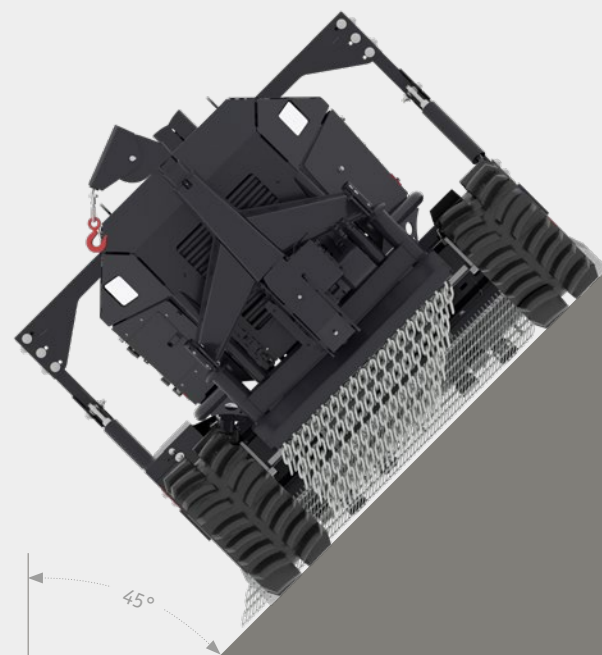
TRUST – EVEN IN THE
MOST AWKWARD PLACES

COPE WITH ANYTHING

Slopes, embankments, hills, inclines: thanks to its impressive traction and ideal load distribution, the RAPTOR 100 can deal with gradients of up to 45 degrees, even on challenging surfaces.

AUTOMATIC CHAIN TENSIONING

No need to stop working and manually re-tension the tracks: hydraulic, maintenance-free track tensioning reliably prevents the rubber tracks from coming off and ensures maximum traction on slopes.



SAFE. UNIQUE. POWERFUL.

M450h

The M450h is a lightweight, hydraulic mulcher for universal use – and the perfect companion to the RAPTOR 100. It offers easy handling, low maintenance and high productivity, and demands little power.

The M450h has different working widths and is equipped with 30 BCS tools. Offset counter-blades produce a fluid cutting action and an excellent shredding pattern, while effectively preventing the penetration of large pieces of wood that could block the rotor. The hydraulic push bar can easily push over metre-high trees while mulching. The top link determines how deeply the mulching head penetrates the soil, while the skids help to guide the machine precisely at all times.



BCS

BCS stands for “Bite Control System”, which automatically limits cutting depths to produce very consistent mulch. This rotor system prevents excessive penetration into the wood, which would cause the rotor speed to drop too drastically.

An optimally balanced rotor combined with a unique tool arrangement achieves minimal fuel consumption and a perfect cutting pattern under the most demanding conditions. The tools on the rotor can easily be swapped for ones suited to different applications.



BCS03

Single-edged, sharp, hardened blade for shredding above the ground. Mounted on standard tool holder.



BCS02

Three-edged carbide tool with staggered cutting edges for wear-intensive and sandy work. Low power requirement due to angled carbide inserts and additional wear protection on the holder.



BCS04 | BCS05

Extremely wear-resistant side scrapers for the BCS rotor. Screwed onto the outermost holders; interchangeable. A wide carbide surface ensures thorough side clearing.



TECHNICAL DATA

ENGINE

Engine	Deutz diesel engine TD2.9L4
Power	55 kW / 75 HP
Emissions	Level Stage V
Max. torque	192 ft-lb (260 Nm) with 1,600 – 1,800 min ⁻¹
Fuel tank	13.2 gal (50 l)

WEIGHT AND MOBILITY

Weight of RAPTOR 100 with assistant winch and lift	4,396 lbs (1,994 kg)
Weight with mulcher M450h-1450	5,710 lbs (2,590 kg)
Ground pressure without mulcher	2.98 psi (0.210 kg/cm ²)
Ground pressure with mulcher	3.88 psi (0.273 kg/cm ²)

GRADEABILITY

Gradeability sideways	45°
Gradeability frontal	45°

TRANSMISSION

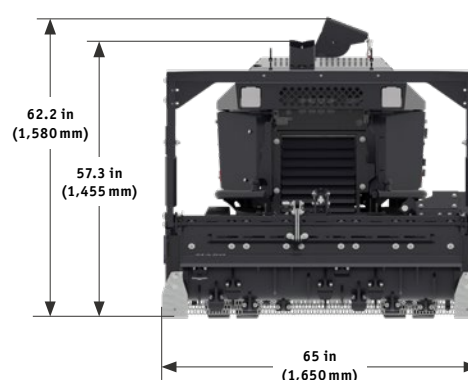
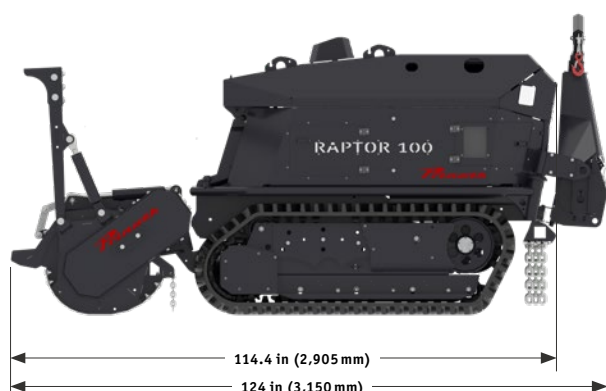
Hydraulic pumps and motors	
Hydraulic tank	7.9 gal (30 l)
Max. speed	3.7 mi/h (6 km/h)
(1 st driving stage 1.86 mi/h (0 – 3 km/h), 2 nd driving stage 3.7 mi/h (0 – 6 km/h))	

UNDERCARRIAGE

Undercarriage type	undercarriage with rubber tracks
Width	11.8 in (300 mm)
Widening	hydraulically adjustable and automatically tensioned, 47.2 – 62.9 in (1,200 – 1,600 mm)

M450h	1250	1350	1450
Volume flow	14.5 – 29 gpm (55 – 110 l/min)		
Hydraulic motor	34 cc piston motor with overrun valve		
Drive	V-belt		
Max. pressure	5,070 psi (350 bar)		
Rotor diameter	17.7 in (450 mm)		
Tools	26x BCS	28x BCS	30x BCS
Working width	49.2 in (1,250 mm)	53.1 in (1,350 mm)	57 in (1,450 mm)
Total width	57 in (1,450 mm)	61 in (1,550 mm)	65 in (1,650 mm)

Weight depending on the configuration of the machine.



PRINOTH GmbH

Im Branden 15
88634 Herdwangen
GERMANY
Tel. +49 7557 92120
prinoth.germany@prinoth.com

PRINOTH AG

Brennerstraße 34
39049 Sterzing
ITALY
Tel. +39 0472 72 26 22
prinoth@prinoth.com

PRINOTH Ltd.

1001 J.-A. Bombardier Street
Granby Qc J2J 1E9
CANADA
Tel. +1 450 776 3600
sales.na@prinoth.com

Locate your nearest sales and service points at www.prinoth.com

© 2022. Technical specifications depend on equipment and may vary. Illustrations may contain optional features that do not come as standard. PRINOTH reserves the right to make changes and updates at any time without prior notice. Version 02/2022